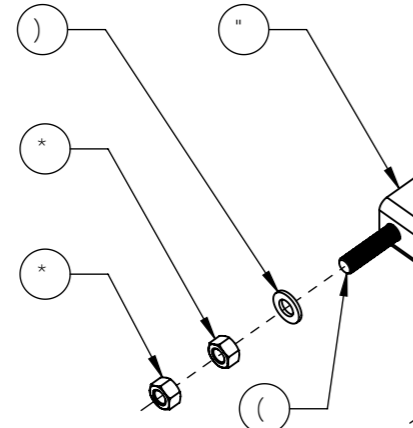
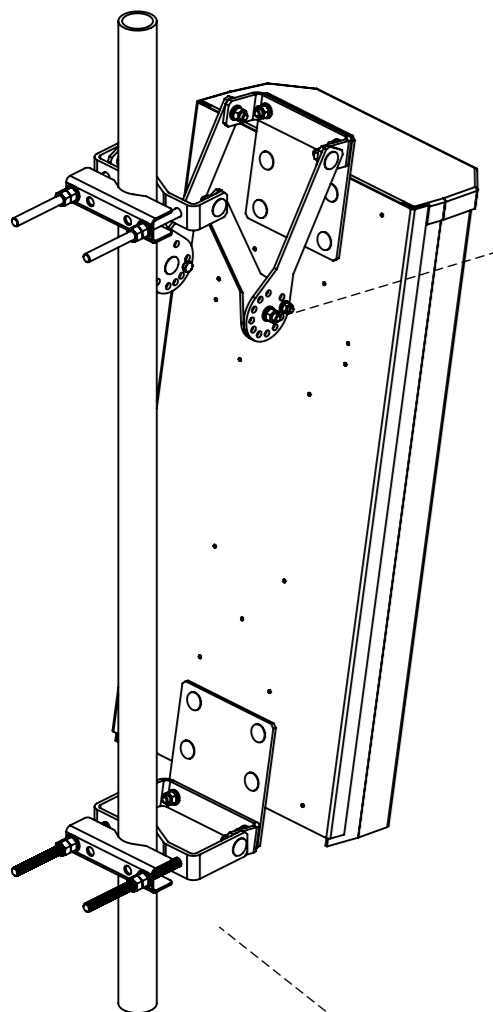
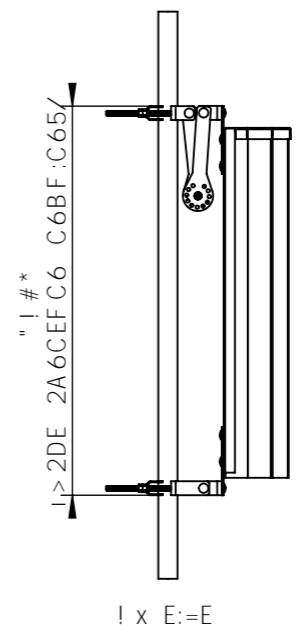
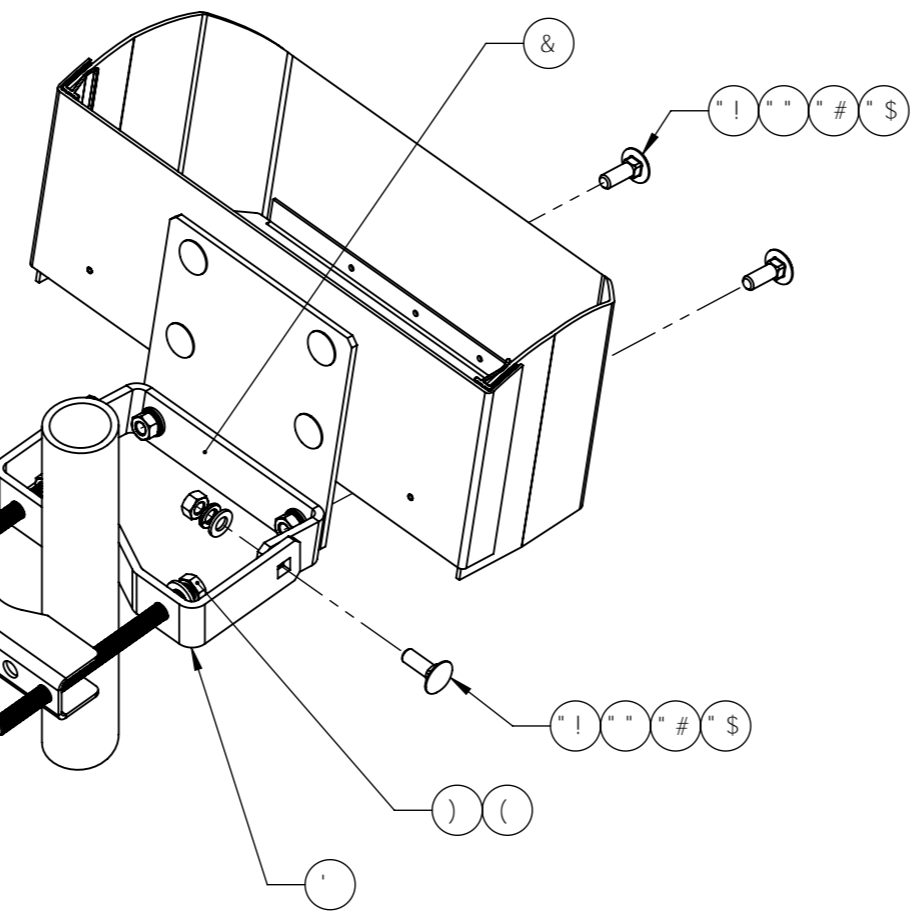
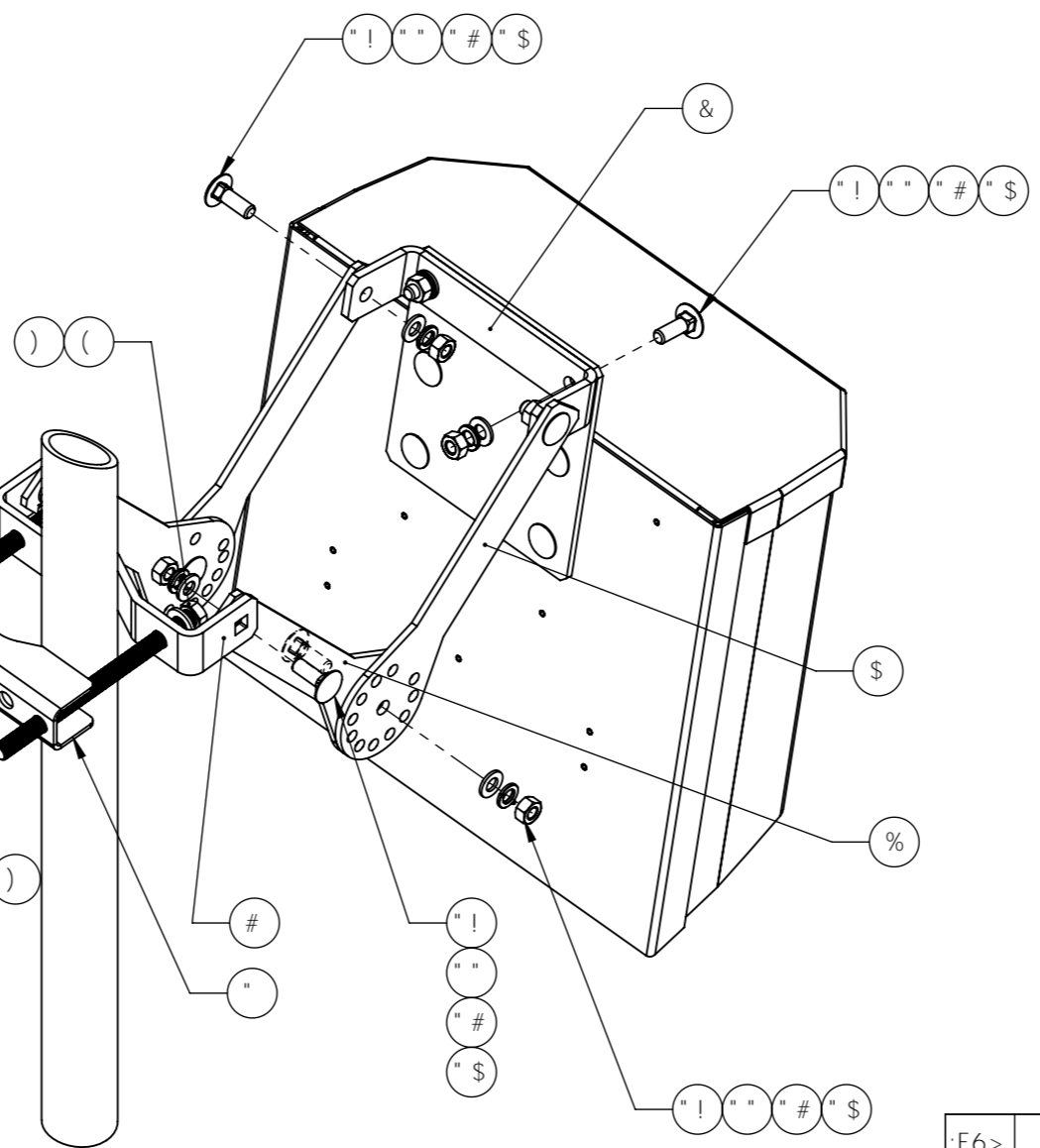


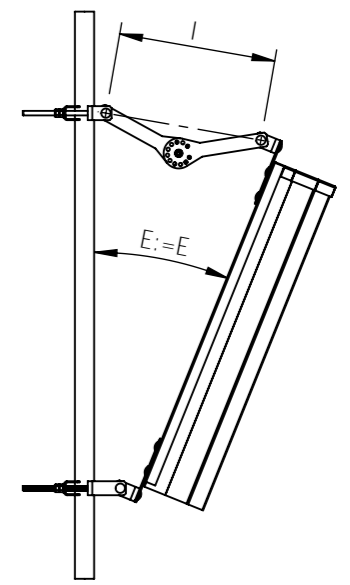
7:1 65 E:=E
72DE6? 6CD



E@CBF6 D6EE:? 8D
>) | \$! ?
> " ! | %! ?
> " # | ' ?



! x E:=E



x E:=E I > 2! /

E:=E	I > /	E:=E	I > /
" x	&&	" # x	# % &
# x	(\$	" \$ x	# ' \$
\$ x	* !	" % x	# !
% x	" ! (" & x	# * (
& x	" # &	" ' x	\$ " %
' x	" % #	" (x	\$ \$ "
(x	" & *	") x	\$ %)
) x	" ('	" * x	\$ ' &
* x	" * %	# ! x	\$) \$
" ! x	# " "	# " x	% ! !
" " x	# #)	# # x	% " (

:E6>	A2CE ?@Z	56D4C:AE:@?	BEJ
"	\$#%"'	4=2>A 92=7 DE66= 82=GZ 3D 6? :D@ "%' "	#
#	(' ' Z \$#!	4=2>A EJA6 " DE66= 82=GZ 3D 6? :D@ "%' "	"
\$	158*#&' "' #	E:=E 2C> EJA6 2 DE66= 82=GZ 3D 6? :D@ "%' "	#
%	158*#&' "' \$	E:=E 2C> EJA6 3 DE66= 82=GZ 3D 6? :D@ "%' "	#
&	(' ' Z \$ \$!	DE2? 5@77 3C24<6E DE66= 82=GZ 3D 6? :D@ "%' "	#
'	(' ' Z \$ #&	4=2>A EJA6 # DE66= 82=GZ 3D 6? :D@ "%' "	"
(&%(\$ # % ! Z ')	> " # h" ! > > 91 95 D4C6H 82=G 3D 6? :D@ " ! ') %	%
)) " ' " !	> " # A=2:? H2D96C 82=GZ 3D 6? :D@ " ! ') %)
*) " & " !	> " # 7F == ? FE 82=GZ 3D 6? :D@ " ! ') %)
" !	&%(\$ # % ! Z ')	> " ! h \$! > > 4@249 3@=E 82=GZ 3D 6? :D@ " ! ') %	" #
" "	' ((\$! ! ! Z ')	> " ! A=2:? H2D96C 82=GZ 3D 6? :D@ " ! ') %	" #
" #	') (\$ " ! ! Z ')	> " ! DAC:? 8 H2D96C 82=GZ 3D 6? :D@ " ! ') %	" #
" \$	' # (\$! ! ! Z ')	> " ! 7F == ? FE 82=GZ 3D 6? :D@ " ! ') %	" #
" %	&%(\$ " \$! ! Z ')	>) h \$! > > 91 95 D4C6H 82=GZ 3D 6? :D@ " ! ') %	#
" &	' ((\$ & ! ! ! Z ')	>) A=2:? H2D96C 82=GZ 3D 6? :D@ " ! ') %	#
" ' "	') (\$ % ! ! ! Z ')	>) DAC:? 8 H2D96C 82=GZ 3D 6? :D@ " ! ') %	#
" (' # (\$ % ! ! ! Z ')	>) 7F == ? FE 82=GZ 3D 6? :D@ " ! ') %	#



D966E " @7 "
(' ' Z (! " & %
5H8 ? @Z :DDF 6+